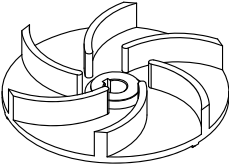


HYDROPOMPE	VORTEX IMPELLER 	60 Hz
F SERIES		2 POLE
92.12XMV-92.12XTV 92.15XMV-92.15XTV		

USE

Submersible electric pumps suitable for pumping screened waste water, draining the sewage of blocks of flats and houses and flooded premises in general.

MATERIALS

Cover

Cast iron EN GJL 200 (UNI EN 1561)

Pump housing

Cast iron EN GJL 200 (UNI EN 1561)

Supporting foot

Cast iron EN GJL 200 (UNI EN 1561)

Impeller

Cast iron EN GJL 200 (UNI EN 1561)

Seal motor side

Seal ring

Mechanical seal impeller side

Silicon Carbide/Silicon Carbide (SiC/SiC)

Motor housing

Stainless steel AISI 304

Motor shaft

Stainless steel AISI 420

Bolts and nuts

Stainless steel Grade A2

Cable

10 meters type H07RN-F

Single-phase with 3G1mm² cable and SCHUKO (CEE 7/VII) plug

Three-phase with 4G1mm² cable

LIMITS TO USE

Max temperature of the liquid pumped

+40°C

pH of the liquid pumped

6÷10

Max immersion depth

5 m

Liquid density

1,0 kg/dm³

Min immersion depth for continuous service

375 mm

Free passage

50 mm

Max number starts/hour

20

Acoustic pressure level issued

<70dB(A)

MOTOR

The electric motor is asynchronous with squirrel cage rotor in dry chamber

Class of insulation F

Protection degree IP68

2pole; 60Hz

Main voltage values and relative tolerance in relation to the rated voltage value:

SINGLE-PHASE

230V ±6%

built-in overheating protection and float switch

THREE-PHASE

230V ±10%

400V ±10%

Other voltages on request.

OTHER FEATURES ON REQUEST

Frequency 50 Hz (*see specific catalogue*)


External capacitor with 4G1mm² cable

Other voltages

With food grade white oil

TECHNICAL DATA

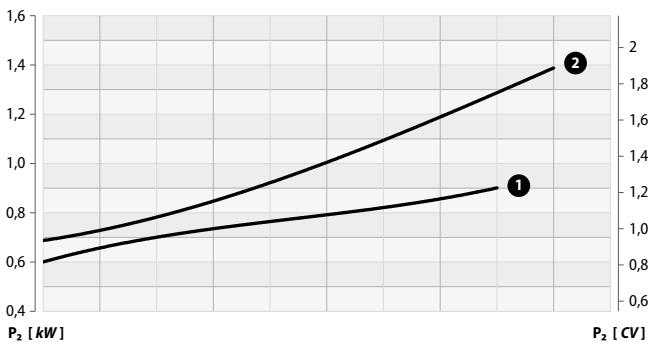
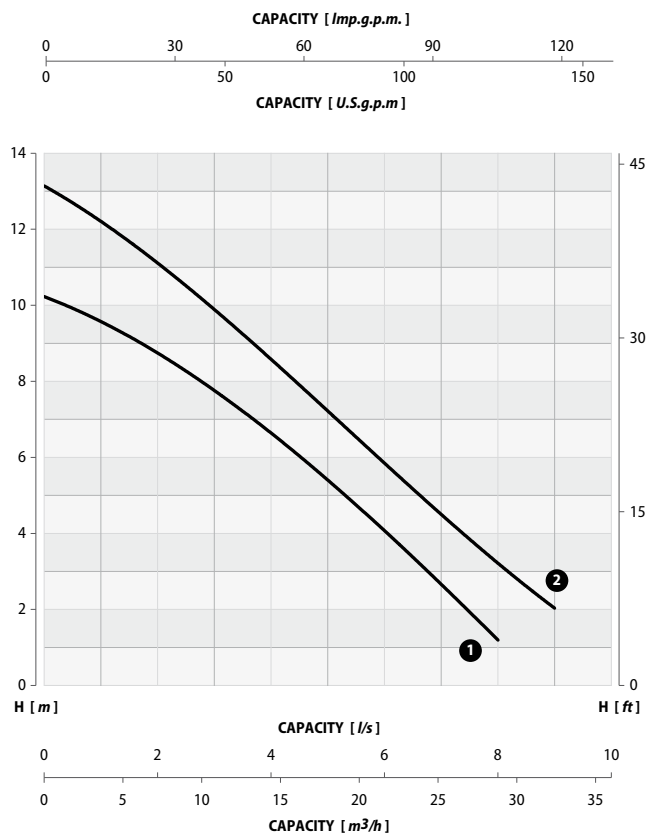
MODEL	P1		P2		VOLTAGE V	CURRENT A	CAPACITOR		CABLE m	WEIGHT kg
	kW	kW	kW	CV			µF	V		
92.12XMV	1,2	0,9	1,2		230 (1~)	5,6	20	450	10	18
92.12XTV	1,2	0,9	1,2		230/400 (3~)	3,4/2,0	-	-	10	18
92.15XMV	1,8	1,4	1,9		230 (1~)	8,8	25	450	10	19
92.15XTV	1,8	1,4	1,9		230/400 (3~)	6,5/3,8	-	-	10	19

F SERIES	92.12XMV-92.12XTV 92.15XMV-92.15XTV		VORTEX IMPELLER	60 Hz
				2 POLE

PERFORMANCE RANGE

		CAPACITY														
<i>l/s</i>	0	1,0	1,5	2,0	2,5	3,0	3,5	4,0	4,5	5,0	5,5	6,0	7,0	8,0	9,0	
<i>m³/h</i>	0	3,6	5,4	7,2	9,0	10,8	12,6	14,4	16,2	18,0	19,8	21,6	25,2	28,8	32,4	
<i>l/min</i>	0	60	90	120	150	180	210	240	270	300	330	360	420	480	540	

MODEL	CURVE N°	HEAD m														
		92.12XMV	1	10,2	9,6	9,2	8,8	8,3	7,8	7,1	6,6	6,0	5,4	4,8	4,2	2,6
92.12XTV																
92.15XMV	2	13,1	12,2	11,7	11,2	10,6	10,6	9,2	8,5	7,7	7,1	6,6	6,0	4,6	3,2	2,0
92.15XTV																



Performance tolerance in according to UNI/ISO 9906 Grade 3B

F SERIES

**92.12XMV-92.12XTV
92.15XMV-92.15XTV**

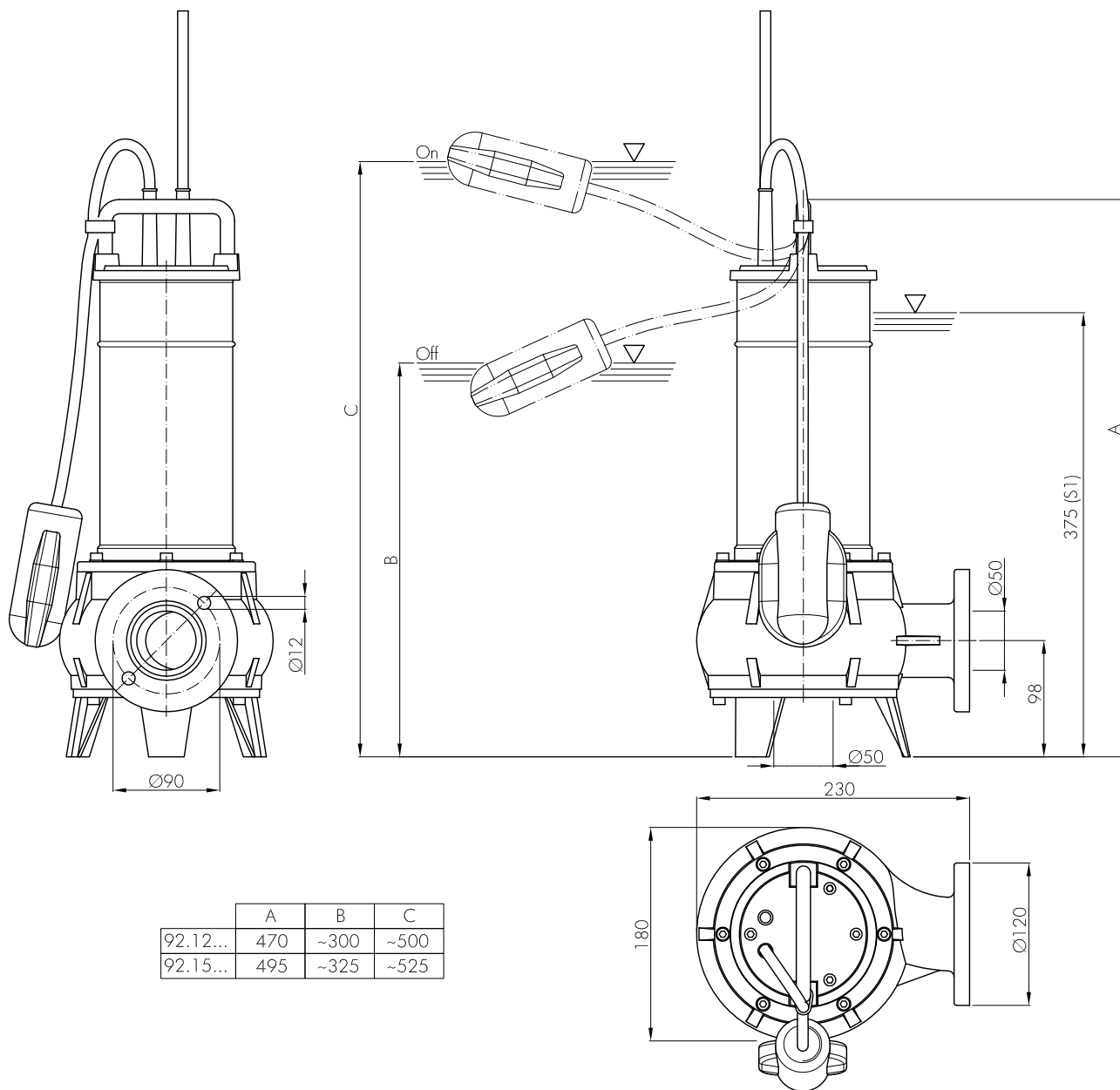


VORTEX IMPELLER

60 Hz

2 POLE

INSTALLATION DIMENSIONS



	A	B	C
92.12...	470	~300	~500
92.15...	495	~325	~525

F SERIES

92.12XMV-92.12XTV
92.15XMV-92.15XTV



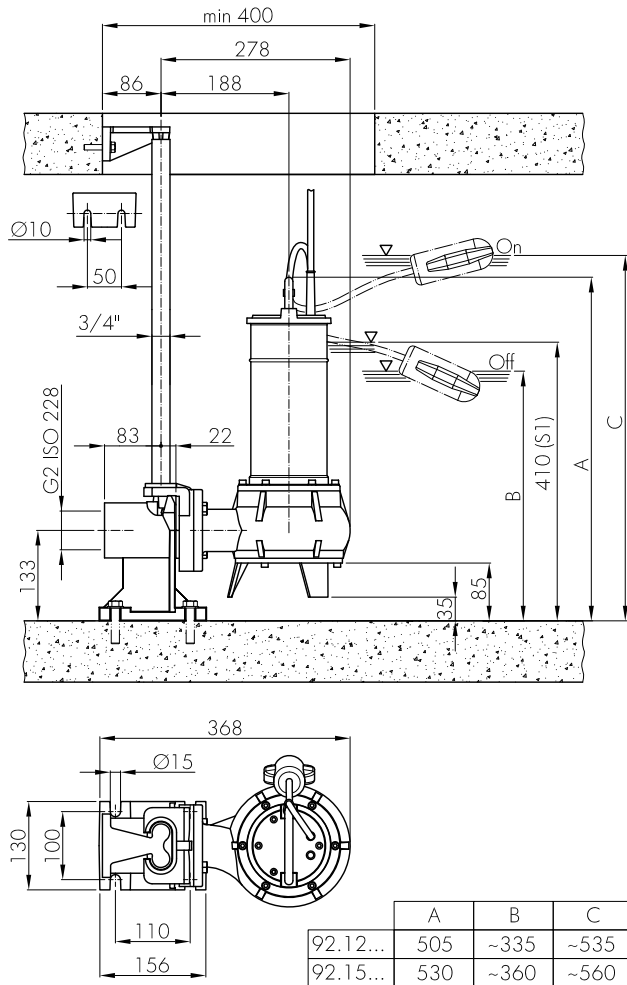
VORTEX IMPELLER

60 Hz

2 POLE

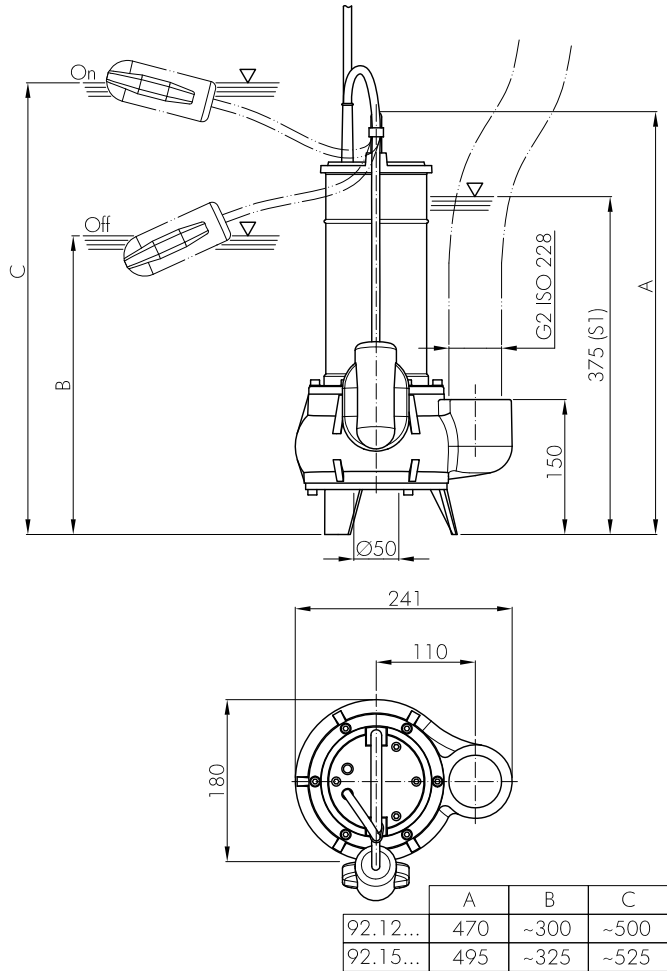
PERMANENT INSTALLATION WITH COUPLING SYSTEM

It is the recommended installation for the permanent pumping station. The electric pump is guided by two pipes and it is connected automatically to the coupling system. The quick connection ensures that the pump can be easily removed and re-installed.



PORTABLE INSTALLATION

Transportable as emergency pump with connection to the hose and for free installation in the well.



NOTES



Changes reserved

01/2019